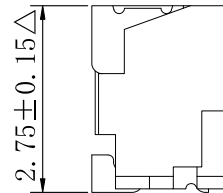
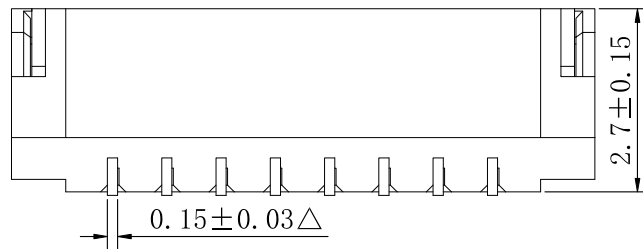


SPECIFICATIONS

- Current rating : 0.7A AC, DC
- Voltage rating : 30V AC, DC
- Temperature range : -25°C ~ +85°C
- Contact resistance : 20mΩMax
- Insulation resistance : 100MΩMin
- Withstanding voltage : 200 V AC/minute
- Finished : Matte Tin-plated
- Housing Material : Nylon-6T, UL94 V-0



Circuits	Dimension mm		Circuits	Dimension mm	
	A	B		A	B
			12	8.80	11.80
02	0.80	3.80	13	9.60	12.60
03	1.60	4.60	14	10.40	13.40
04	2.40	5.40	15	11.20	14.20
05	3.20	6.20	16	12.00	15.00
06	4.00	7.00	17	12.80	15.80
07	4.80	7.80	18	13.60	16.60
08	5.60	8.60	19	14.40	17.40
09	6.40	9.40	20	15.20	18.20
10	7.20	10.20	21	16.00	19.00
11	8.00	11.00	22	16.80	19.80



DESCRIPTION:
0.8MM WAFER 90° SMT TYPE (RoHS)

PART NO:
CC0801-W08R-XX

DRAWN: 王建平

CHECKED: 黄炳秋

APPROVAL: 邓文广

GENERAL TOLERANCE:

.X ±0.08
.XX ±0.05
.XXX ±0.03

SCALE:
1:1



REV: A/5

UNIT: mm

SIZE: A4

SHEET: 1/2

REV: 2

REV: 3

REV: 4

REV: 5

DESCRIPTION

修改料號: C0801-W08R-XX

更正Layout图

变更电流大小

变更胶宽 2.0 ± 0.15 (ECN20200909-1)

DATE

2008.07.22

2009.07.16

2012.10.17

2020.09.16

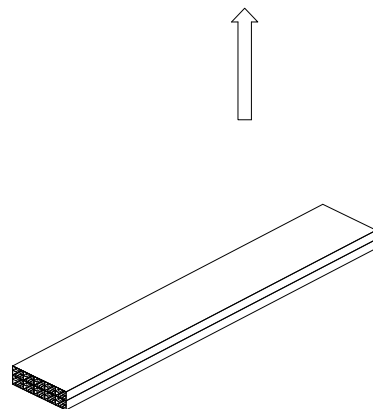
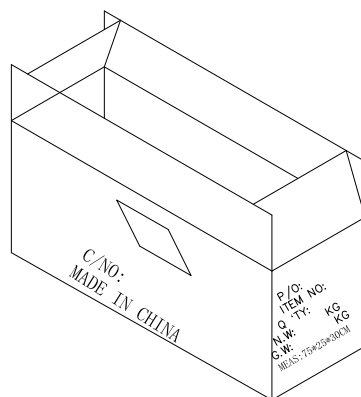
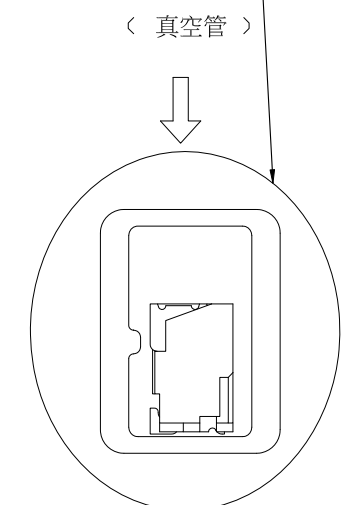
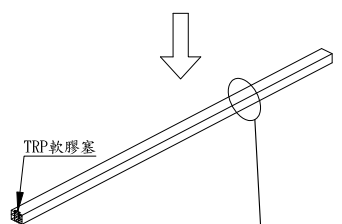
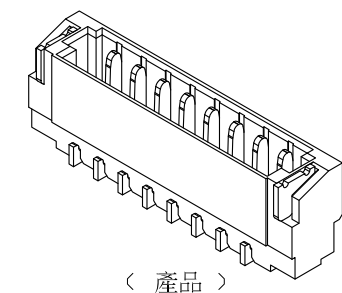
A

B

C

D

E



1. 真空管規格: 325x5.15x3.8mm (2.3g)
2. 外紙箱規格: 75×25×30cm (830g)
3. 未够一箱请酌量选箱进行包装

PIN數	包材名稱	每管數量	單重	PIN數	包材名稱	每管數量	單重
				1*12	P090-1	26/PCS	0.15144
1*02	PE15*15+V017	3000/PCS	0.02524	1*13	P090-1	24/PCS	0.16406
1*03	P090-1	66/PCS	0.03786	1*14	P090-1	23/PCS	0.17668
1*04	P090-1	56/PCS	0.05048	1*15	P090-1	21/PCS	0.18930
1*05	P090-1	49/PCS	0.06310	1*16	P090-1	20PCS	0.20192
1*06	P090-1	43/PCS	0.07572	1*17	P090-1	19/PCS	0.21454
1*07	P090-1	39/PCS	0.08834	1*18	P090-1	18/PCS	0.22716
1*08	P090-1	35/PCS	0.10096	1*19	P090-1	17/PCS	0.23978
1*09	P090-1	32/PCS	0.11358	1*20	P090-1	17/PCS	0.25240
1*10	P090-1	30/PCS	0.12620	1*21	P090-1	16/PCS	0.26502
1*11	P090-1	28/PCS	0.13882	1*22	P090-1	15/PCS	0.27764



A

B

C

D

E