

Detail A
Close Type

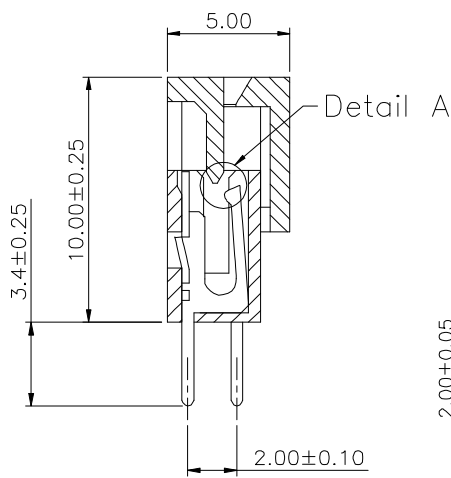
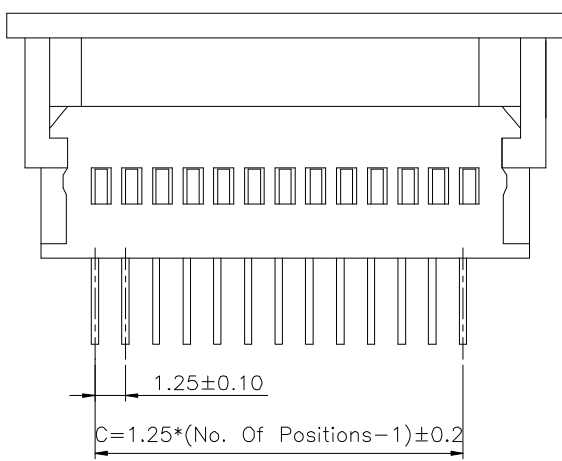
Specifications:
 Rating:
 Current Rating: 1.0 Amp
 Voltage Rating: 200V AC/DC
 Operating Temperature Range: -40°~+105°C

Electrical:
 Contact resistance: 20m Ohm Max
 Insulator resistance: 500M ohm min.
 Withstanding Voltage: 500V AC/Minute

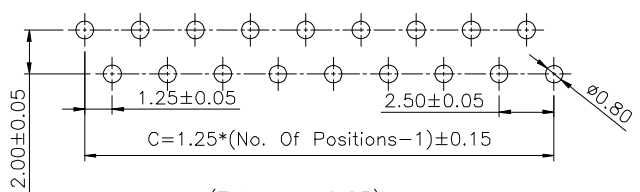
Material And Finish:
 Housing: Glass-Reinforced Thermoplastic
 UL94V-0 Natural
 Terminal: Phosphor Bronze,
 Plating: Tin plated Over Nickel

No of contacts	A	B	C
03	9.55	5.20	2.50
04	10.80	6.45	3.75
05	12.05	7.70	5.00
06	13.30	8.95	6.25
07	14.55	10.20	7.50
08	15.80	11.45	8.75
09	17.05	12.70	10.00
10	18.30	13.95	11.25
11	19.55	15.20	12.50
12	20.80	16.45	13.75
13	22.05	17.70	15.00
14	23.30	18.95	16.25
15	24.55	20.20	17.50
16	25.80	21.45	18.75
17	27.05	22.70	20.00
18	28.30	23.95	21.25
19	29.55	25.20	22.50
20	30.80	26.45	23.75
21	32.05	27.70	25.00
22	33.30	28.95	26.25
23	34.55	30.20	27.50
24	35.80	31.45	28.75
25	37.05	32.70	30.00
26	38.30	33.95	31.25
27	39.55	35.20	32.50
28	40.80	36.45	33.75
29	42.05	37.70	35.00
30	43.30	38.95	36.25
31	44.55	40.20	37.50
32	45.80	41.45	38.75

1



Open Type



(Tolerance: 0.05)
 Recommended PCB Layout

2

3



DESCRIPTION(內容):
FPC 1.25mm Straight A Type (RoHS)
 PART NO:
 (料號) FPC150B0XX-PTT-CF1337
 DWG NO(圖號): 0012125-XX2123

DRAWN(製圖):
ZHANG
 CHECKED(確認):
TERESA
 APPROVAL(核准):
JOHNNY

GENERAL TOLERANCE:
 (公差)
 . ±0.30 . ±3°
 .0 ±0.20 .0 ±2°
 .00 ±0.10 .00 ±1°
 .000 ±0.05
 SCALE(比例):
FREE

REV:
R0
 UNIT:
mm
 SIZE:
A4
 SHEET:
1/1

REV	DESCRIPTION	DATE
R0		2023.01.10
R1		
R2		
R3		

A

B

C

D

E