

A

B

C

D

E

FEATURES

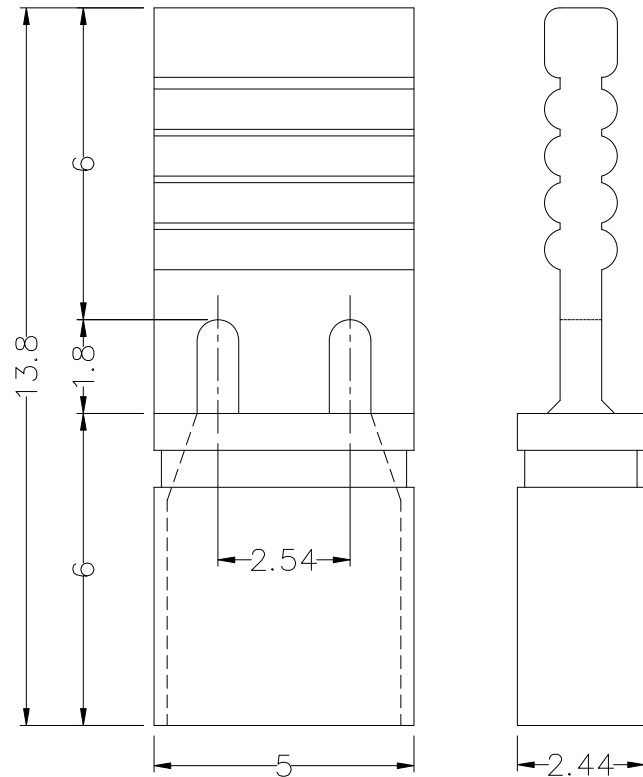
Double tuning fork type contact quarantees high reliability.
2.54MM pitch Low-Profile mini type Match to 0.64mm sq. posts.

MATERIAL

- Insulator NY66
- Contact Gold Plated
- Terminal Phosphor Bronze

SPECIFICATIONS

- Current Rating: 3 amperes MAX
- Contact Resistance: 30m Ω MAX
- Insuiation Resistance: 1000 Megohms min.
- Dielectric Withstanding Voltage: AC 650 volts RMS at sea leve



Part No:	Color
CMJ-135AB	Black
CMJ-135AR	Red
CMJ-135ABL	Blue
CMJ-135AG	Green



*以上圖示塑膠公差皆為±0.15
金屬公差皆為±0.05



承洧科技股份有限公司
Cherg Weei Technology Corp.

DESCRIPTION(內容):
**Mimi Jumper 2.54 Pitch
Close Type (13.5)(RoHS)**

PART NO:
(料號) **CMJ-135A__**
DWG NO(圖號): **MJ-13.8/YM00835**

DRAWN(製圖):
MIMI
CHECKED(確認):
MANDY

APPROVAL(核准):
JOHNNY

GENERAL TOLERANCE:
(公差)
FREE



REV:
R0
UNIT:
mm
SIZE:
A4
SHEET:
1/1

REV
R0
R1
R2
R3

DESCRIPTION
RELEASE

DATE
2009.05.22

A

B

C

D

E