

FEATURES

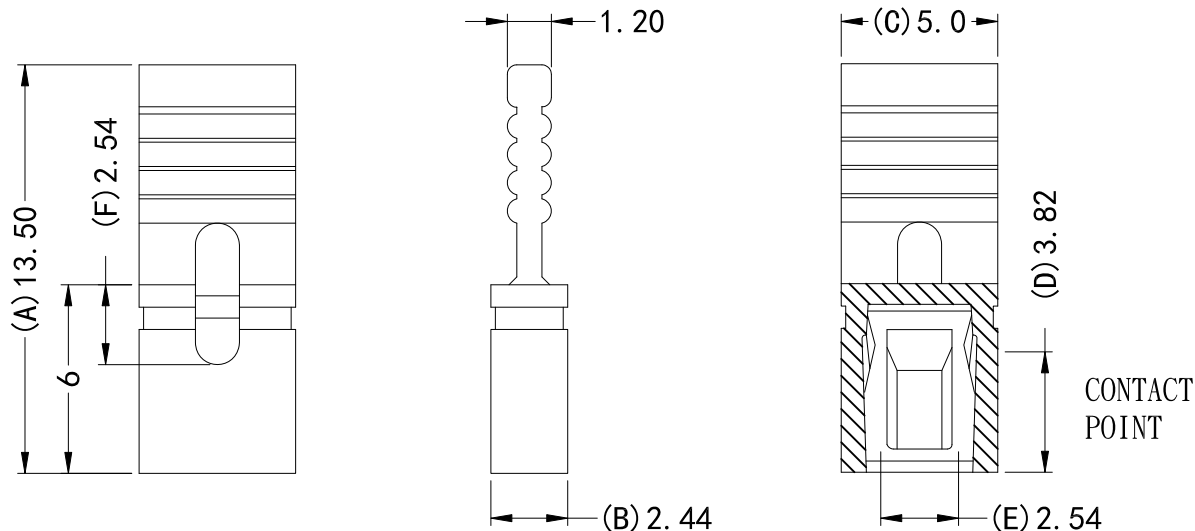
Double tuning fork type contact quarantees high reliability.
2.54MM pitch Low-Profile mini type Match to 0.64mm sq. posts.

MATERIAL

- Insulator NY66(94V-2)
- Contact Gold Plated
- Terminal Brass(C2680)

SPECIFICATIONS

- Current Rating:3 amperes MAX
- Concact Resistance: 30mΩ MAX
- Insuiation Resistance: 1000 Megohms min.
- Dielectric Withstanding Voltage: AC 650 volts RMS at sea leve



Part No.	Color
CMJ-135BB	Black
CMJ-135BR	Red
CMJ-135BBL	Blue
CMJ-135BG	Green
CMJ-135BW	White
CMJ-135BY	Yellow



承洧科技股份有限公司
Cherg Weei Technology Corp.

DESCRIPTION(內容)	DRAWN(製圖)	GENERAL TOLERANCE:(公差)	REV: R3	REV	DESCRIPTION	DATE
MINI JUMPER 2.54 Pitch OPEN TYPE (13.5) (RoHS)	GONG	塑膠公差皆為±0.20 金屬公差皆為±0.05	UNIT:	R0	RELEASE(RoHS)	2006.07.18
	CHECKED(確認):		TERESA	mm	R1	變更Insuiation Resistance 新增Color Part No.(Green)
PART NO: (料號) CMJ-135B_	APPROVAL(核准):	SCALE(比例):	SIZE:	R2	補充Color Part No.(White, Yellow)	2006.10.21
DWG NO(圖號): MJ-13.50H	JOHNNY	FREE	A4	R3	圖面更新、圖號更新(原: MJ-13.75/YM00805)	2008.07.24
			SHEET:			2010.12.23
			1/1			2015.12.21