

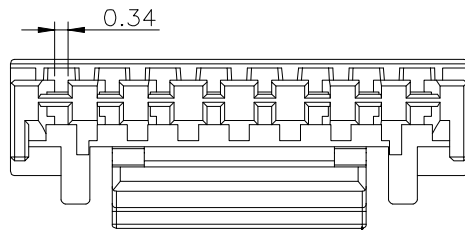
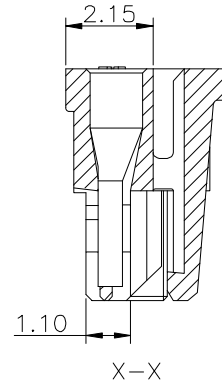
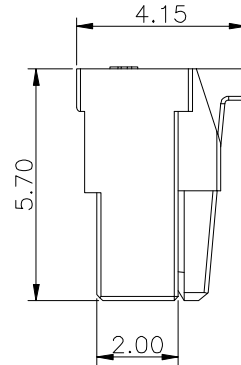
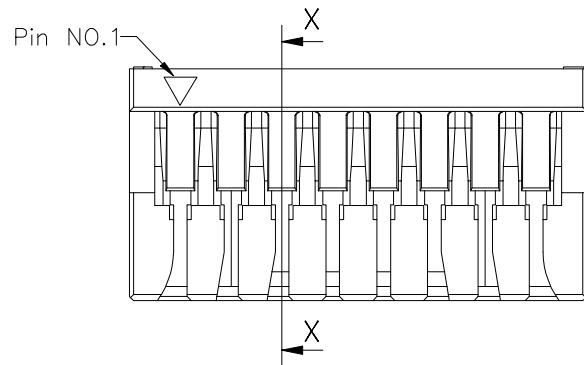
SPECIFICATIONS

Electrical

Current Rating: 1A AC, DC
 Voltage Rating: 50V AC/DC
 Operating Temp.: -20°C ~ +85°C
 Insulation Resistance: 100MΩ / Min.
 Dielectric Withstanding Voltage: 500V AC / min.
 Contact Resistance: 30mΩ / Max.

Material

Base : PA66, UL94V-0, Color : Nature



Poles	A	B	C	D
02	1.25	3.75	2.35	-
03	2.50	5.00	3.20	
04	3.75	6.25	4.25	
05	5.00	7.50	6.25	8.75
06	6.25	8.75		
07	7.50	10.00		
08	8.75	11.25	8.20	10.70
09	10.00	12.50		
10	11.25	13.75		
11	12.50	15.00	8.20	10.70
12	13.75	16.25		
13	15.00	17.50		
14	16.25	18.75	8.20	10.70
15	17.50	20.00		

