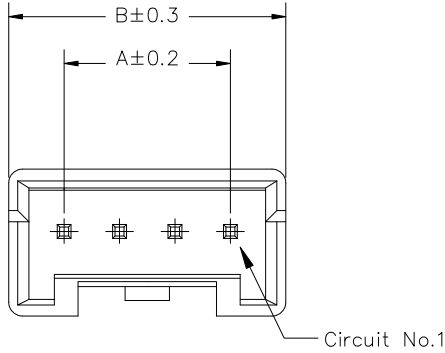
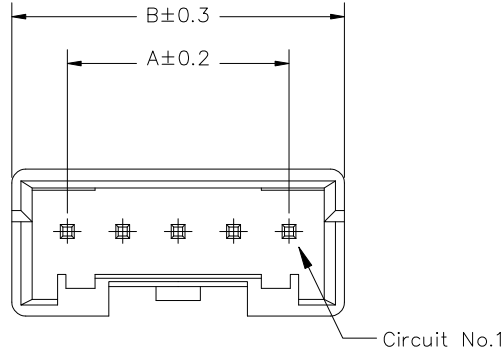


(2 to 4 circuits)

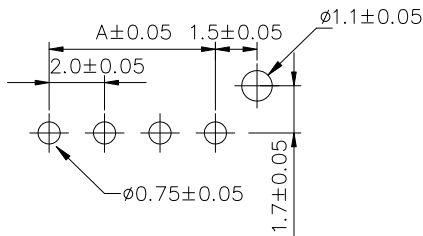
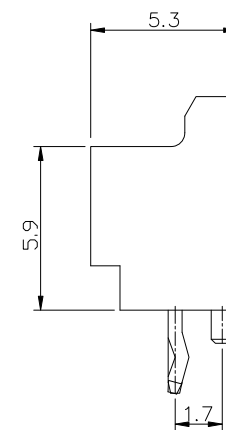
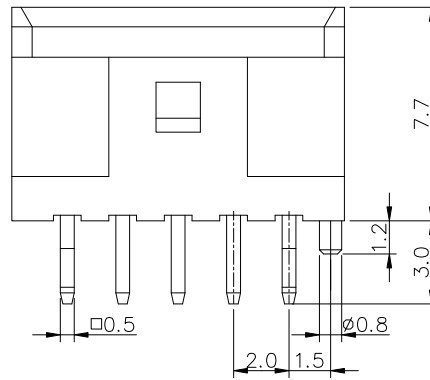
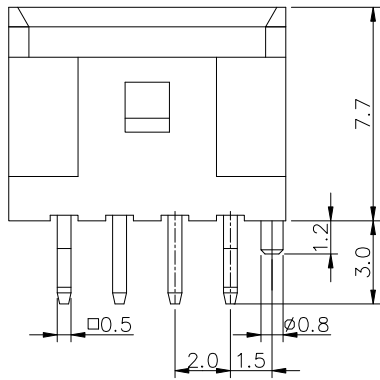


(5 to 6 circuits)



Specifications

Current Rating: 3A AC/ DC (Max)AWG#22
 Voltage Rating: 250V AC/ DC
 Temperature Range: -25°C ~ + 85°C
 Contact Resistance: 20mΩ Max
 Insulation Resistance: 1000MΩ Min
 Withstand Voltage:800V AC/Minute
 Pin Material: Brass/ Tin-plated
 Wafer Material: Glass-filled,PBT,UL94V-0



RECOMMENDED P.C.BOARD HOLE DIMM.

Part No.	Color
CPA-W20-XX	WHITE
CPA-W20-XXBL	BLUE
CPA-W20-XXY	YELLOW

Poles	Dimension mm(in.)	
	A	B
02	2.0(0.079)	6.0(0.236)
03	4.0(0.157)	8.0(0.315)
04	6.0(0.236)	10.0(0.394)
05	8.0(0.315)	12.0(0.472)
06	10.0(0.394)	14.0(0.551)
07	12.0(0.472)	16.0(0.630)
08	14.0(0.551)	18.0(0.709)
09	16.0(0.630)	20.0(0.787)
10	18.0(0.709)	22.0(0.866)
11	20.0(0.787)	24.0(0.945)
12	22.0(0.866)	26.0(1.024)
13	24.0(0.945)	28.0(1.102)
14	26.0(1.024)	30.0(1.181)
15	28.0(1.102)	32.0(1.260)



DESCRIPTION(內容):
**2.0mm Wire-to-Board Header
 DIP 180° Type (RoHS)**

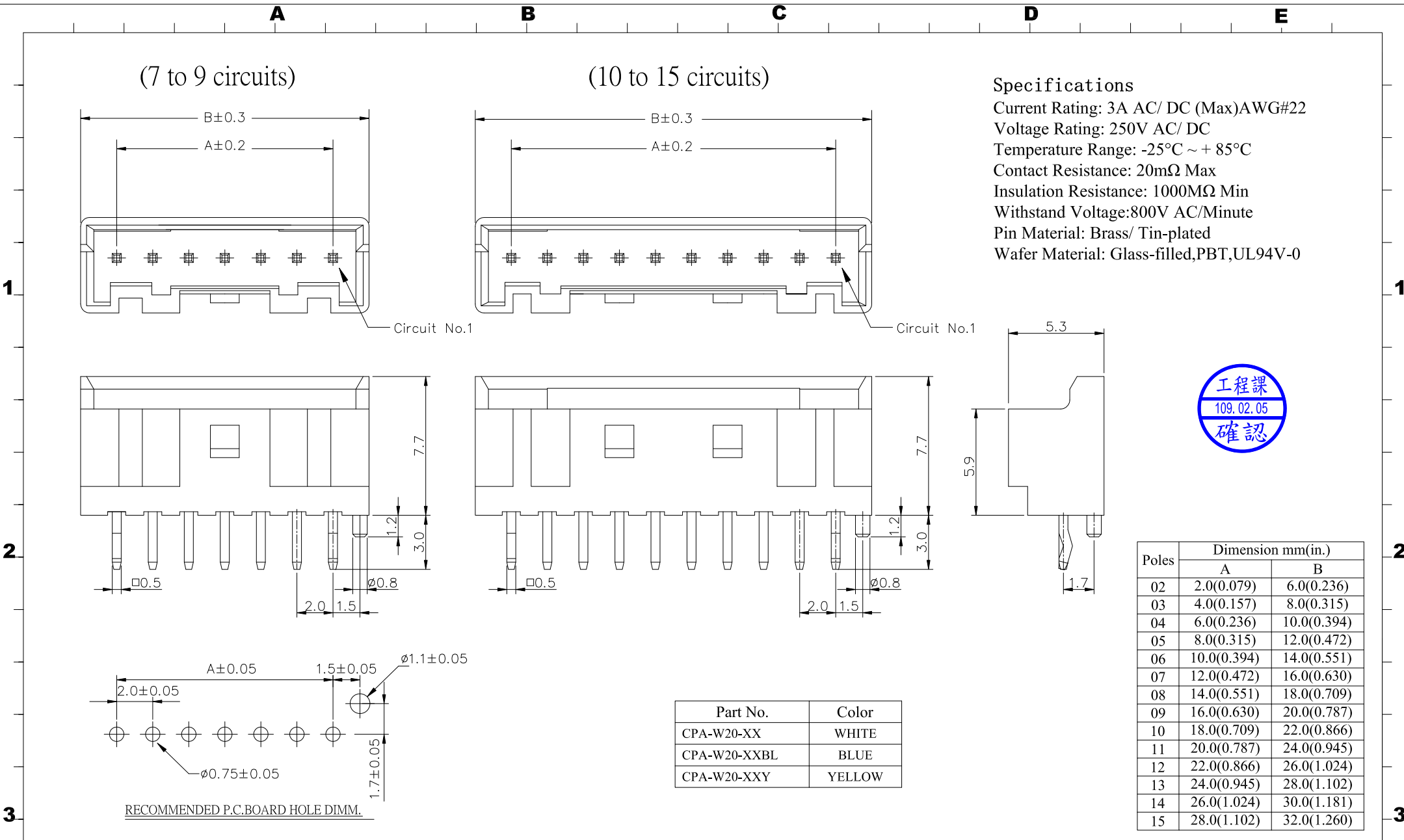
PART NO:
 (料號) CPA-W20-XX __
 DWG NO(圖號): 2001PA-XX-ST-D

DRAWN(製圖):
GONG
 CHECKED(確認):
MANDY
 APPROVAL(核准):
JOHNNY

GENERAL TOLERANCE:
 (公差)
 X.XX ±0.20
 X.X ±0.25
 SCALE(比例):
FREE

REV:
R3
 UNIT:
mm
 SIZE:
A4
 SHEET:
1/2

REV	DESCRIPTION	DATE
R0	RELEASE	2009.03.11
R1	2014年料號編碼統一兩碼	2014.09.25
R2	新增顏色: 藍色&黃色	2014.12.10
R3	圖面更新	2020.02.05



Specifications
 Current Rating: 3A AC/ DC (Max)AWG#22
 Voltage Rating: 250V AC/ DC
 Temperature Range: -25°C ~ + 85°C
 Contact Resistance: 20mΩ Max
 Insulation Resistance: 1000MΩ Min
 Withstand Voltage:800V AC/Minute
 Pin Material: Brass/ Tin-plated
 Wafer Material: Glass-filled,PBT,UL94V-0



Poles	Dimension mm(in.)	
	A	B
02	2.0(0.079)	6.0(0.236)
03	4.0(0.157)	8.0(0.315)
04	6.0(0.236)	10.0(0.394)
05	8.0(0.315)	12.0(0.472)
06	10.0(0.394)	14.0(0.551)
07	12.0(0.472)	16.0(0.630)
08	14.0(0.551)	18.0(0.709)
09	16.0(0.630)	20.0(0.787)
10	18.0(0.709)	22.0(0.866)
11	20.0(0.787)	24.0(0.945)
12	22.0(0.866)	26.0(1.024)
13	24.0(0.945)	28.0(1.102)
14	26.0(1.024)	30.0(1.181)
15	28.0(1.102)	32.0(1.260)

Part No.	Color
CPA-W20-XX	WHITE
CPA-W20-XXBL	BLUE
CPA-W20-XXY	YELLOW



DESCRIPTION(內容): 2.0mm Wire-to-Board Header DIP 180° Type (RoHS) PART NO: (料號) CPA-W20-XX__ DWG NO(圖號): 2001PA-XX-ST-D	DRAWN(製圖): GONG	GENERAL TOLERANCE: (公差) X.XX ±0.20 X.X ±0.25	REV: R3	REV	DESCRIPTION	DATE	
	CHECKED(確認): MANDY		UNIT: mm	R0		RELEASE	2009.03.11
	APPROVAL(核准): JOHNNY	SCALE(比例): FREE	SIZE: A4	R1		2014年料號編碼統一兩碼	2014.09.25
			SHEET: 2/2	R2		新增顏色: 藍色&黃色	2014.12.10
				R3	圖面更新	2020.02.05	