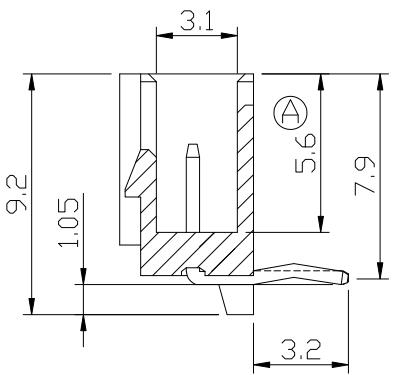
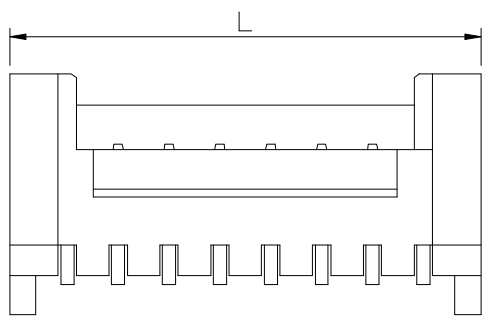


Applicable PCB Thickness
1.2~1.6mm



A-A Section

NOTES

Material :PA66 UL94V-0
Color :White
PIN Material :Brass
Finish :Tin plated

Part NO.	Dimension		Q' ty/bag
	L1	L	
CYH-W20R-02	2.00	5.98	1000 PCS
CYH-W20R-03	4.00	7.98	1000 PCS
CYH-W20R-04	6.00	9.98	1000 PCS
CYH-W20R-05	8.00	11.98	1000 PCS
CYH-W20R-06	10.00	13.98	1000 PCS
CYH-W20R-07	12.00	15.98	1000 PCS
CYH-W20R-08	14.00	17.98	1000 PCS
CYH-W20R-09	16.00	19.98	1000 PCS
CYH-W20R-10	18.00	21.98	1000 PCS
CYH-W20R-11	20.00	23.98	500 PCS
CYH-W20R-12	22.00	25.98	500 PCS
CYH-W20R-13	24.00	27.98	500 PCS
CYH-W20R-14	26.00	29.98	500 PCS
CYH-W20R-15	28.00	31.98	500 PCS



DESCRIPTION(內容): WAFFER YH2.0mm 90° Series (RoHS) PART NO: (料號) CYH-W20R-XX DWG NO(圖號): M#-I20004R	DRAWN(製圖): GONG	GENERAL TOLERANCE: (公差) ± 0.3	REV: R2	REV	DESCRIPTION	DATE	
	CHECKED(確認): TERESA		UNIT: mm				R0
	APPROVAL(核准): JOHNNY	SCALE(比例): FREE		SIZE: A4	R1	變更: ②尺寸(原6.0), 自然替換	2011.08.26
				SHEET: 1/1	R2	2014年8月料號P數編碼統一兩碼	2015.05.06