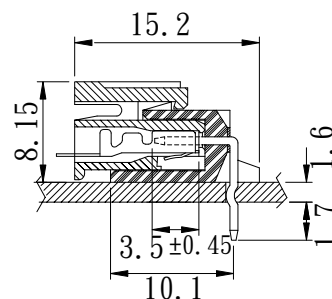
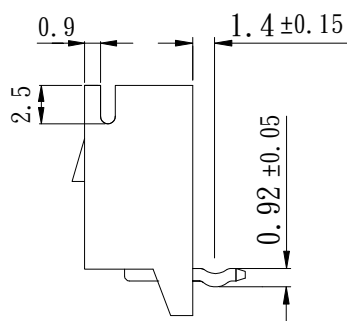
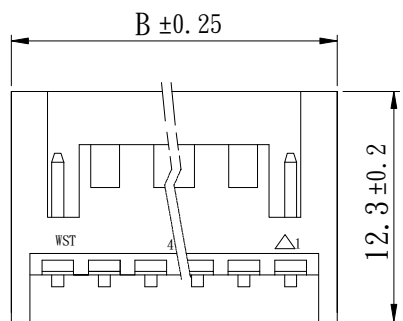
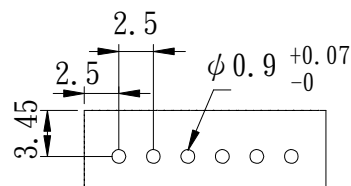
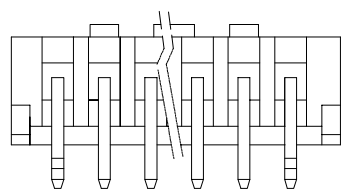


Current Rating: 3A AC/DC.
 Voltage Rating: 150V AC/DC.
 Material Housing: Nylon 66 +GF, UL 94V-0.
 Material Pin: Brass, Tin plating.
 Contact Resistance: 30mΩ MAX.
 Insulation Resistance: 1000MΩ MIN.
 Withstanding Voltage: 1000V AC/Minute.
 Temperature Range: -25°C to +85°C.



Part NO.	Dimensions		Q' ty/bag
	A	B	
CYH-W250R-02	2.5	7.5	1000 PCS
CYH-W250R-03	5.0	10.0	1000 PCS
CYH-W250R-04	7.5	12.5	1000 PCS
CYH-W250R-05	10.0	15.0	1000 PCS
CYH-W250R-06	12.5	17.5	1000 PCS
CYH-W250R-07	15.0	20.0	1000 PCS
CYH-W250R-08	17.5	22.5	1000 PCS
CYH-W250R-09	20.0	25.0	500 PCS
CYH-W250R-10	22.5	27.5	500 PCS
CYH-W250R-11	25.0	30.0	500 PCS
CYH-W250R-12	27.5	32.5	500 PCS



Applicable P.C.B Thickness: 1.6mm



DESCRIPTION(內容):
WAFER (仿YH2.5mm) 90° (RoHS)
 PART NO:
 (料號) **CYH-W250R-XX**
 DWG NO(圖號): **M#-I25019R**

DRAWN(製圖):
ZHNAG
 CHECKED(確認):
TERESA
 APPROVAL(核准):
JOHNNY

GENERAL TOLERANCE:
 (公差)
±0.3
 SCALE(比例):
FREE

REV:
R5
 UNIT:
mm
 SIZE:
A4
 SHEET:
1/1

REV	DESCRIPTION	DATE
R0	RELEASE	2008.08.18
R1	修正K腳方向及型寬尺寸，補充公差	2010.08.30
R2	圖面更新	2013.04.01
R3	修正K腳PIN針公差位置	2013.06.21
R4	更換確認章	2020.08.12
R5	更新圖面	2025.07.24

A

B

C

D

E