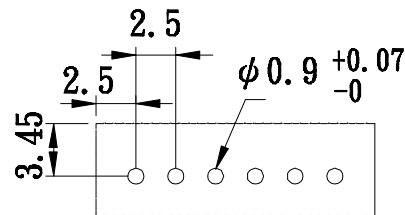
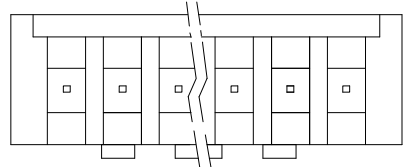
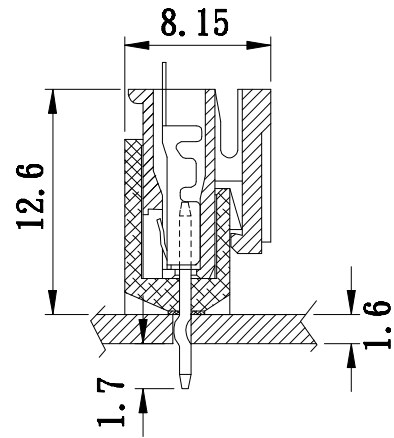
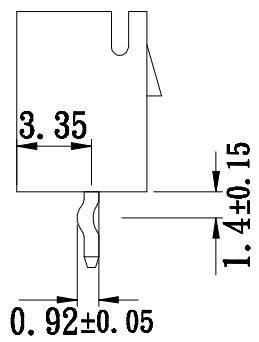
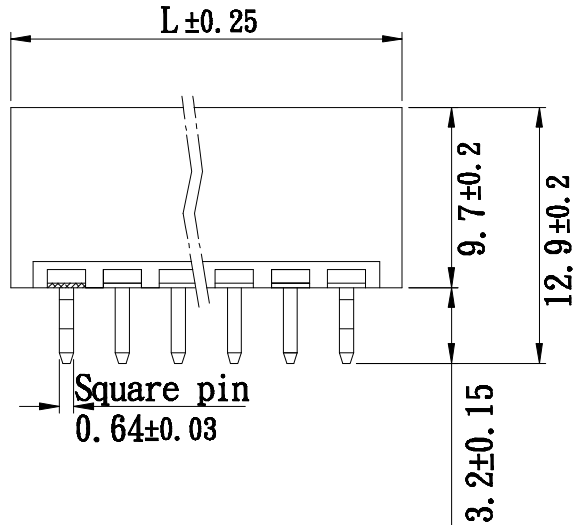


Current Rating: 3A AC/DC.
 Voltage Rating: 150V AC/DC.
 Material Housing: Nylon 66 +GF, UL 94V-0.
 Material Pin: Brass, Tin plating.
 Contact Resistance: 30mΩ MAX.
 Insulation Resistance: 1000MΩ MIN.
 Withstanding Volatge: 1000V AC/Minute.
 Temperature Range: -25°C to +85°C.



Applicable P.C.B Thickness: 1.6mm

Part NO.	Dimensions		Q' ty/bag
	L1	L	
CYH-W250-02	2.5	7.5	1000 PCS
CYH-W250-03	5.0	10.0	1000 PCS
CYH-W250-04	7.5	12.5	1000 PCS
CYH-W250-05	10.0	15.0	1000 PCS
CYH-W250-06	12.5	17.5	1000 PCS
CYH-W250-07	15.0	20.0	1000 PCS
CYH-W250-08	17.5	22.5	1000 PCS
CYH-W250-09	20.0	25.0	500 PCS
CYH-W250-10	22.5	27.5	500 PCS
CYH-W250-11	25.0	30.0	500 PCS
CYH-W250-12	27.5	32.5	500 PCS
CYH-W250-13	30.0	35.0	500 PCS
CYH-W250-14	32.5	37.5	500 PCS
CYH-W250-15	35.0	40.0	500 PCS



DESCRIPTION(內容):
WAFER (仿 YH 2.5) 180° (RoHS)
 PART NO:
 (料號) **CYH-W250-XX**
 DWG NO(圖號): **M#-I25019**

DRAWN(製圖):
KAY
 CHECKED(確認):
MANDY
 APPROVAL(核准):
JOHNNY

GENERAL TOLERANCE:
 (公差)
±0.3
 SCALE(比例):
FREE

REV:
R4
 UNIT:
mm
 SIZE:
A4
 SHEET:
1/1

REV	DESCRIPTION	DATE
R1	更正產品外觀	2007.09.17
R2	圖面更新	2013.04.01
R3	更換確認章	2019.05.13
R4	圖面更新	2020.02.18