

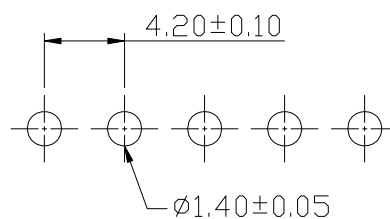
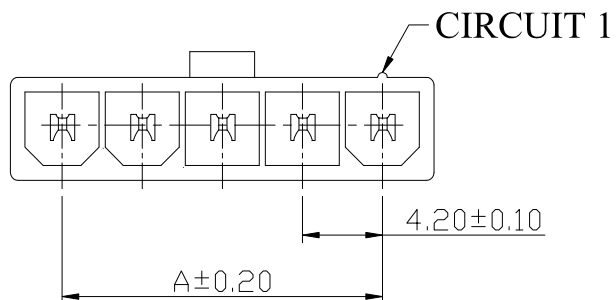
A

B

C

D

E



P.C.B LAYOUT

SPECIFICATIONS

Current Rating: 9A AC, DC

Voltage Rating: 600V AC, DC

Temperature Range: -25°C ~ +85°C

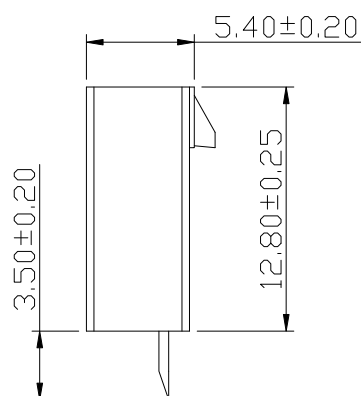
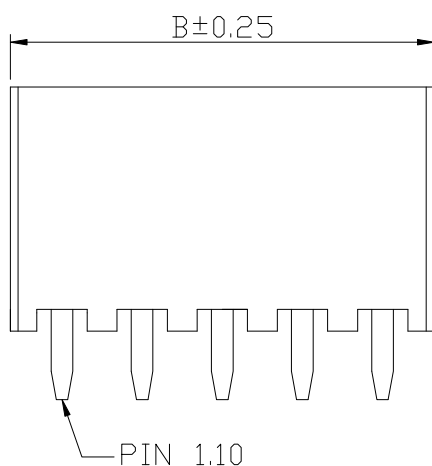
Contact Resistance: 10MΩ Min

Insulation Resistance: 1000MΩ Min

Withstanding Voltage: 1500V AC/minute

Material: Nylon 66, UL 94V-2

Color: Natural (Translucent)



Ordering Information & Dimensions

Part NO.	Dimensions	
	A	B
CR-W421S-1x02	4.20	9.60
CR-W421S-1x03	8.40	13.80
CR-W421S-1x04	12.60	18.00
CR-W421S-1x05	16.80	22.20
CR-W421S-1x06	21.00	26.40

DESCRIPTION(內容):

Wafer (Mini Fit 4.2) 180°
Single Row(RoHS)

PART NO:
(料號) CR-W421S-1xXX

DWG NO(圖號): 4203-ST-1xXX

DRAWN(製圖):

GONG

CHECKED(確認):

TERESA

APPROVAL(核准):

JOHNNY

GENERAL TOLERANCE:

(公差)

.X ±0.50
.XX ±0.25

SCALE(比例):

FREE



REV:

R2

UNIT:

mm

SIZE:

A4

SHEET:

1/1

REV

R0

R1

R2

R3

DESCRIPTION

RELEASE

修正PIN針描述

2014年8月料號P數編碼統一兩碼

DATE

2010.01.20

2013.03.21

2016.01.27

A

B

C

D

E