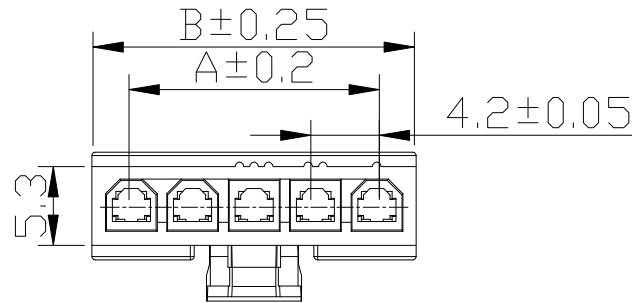
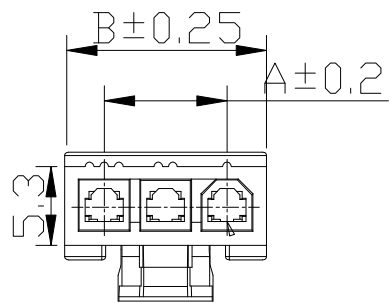


1



SPECIFICATIONS

Current Rating: 9A AC,DC

Voltage Rating: 600V AC,DC

Temperature Range: -25°C ~ +85°C

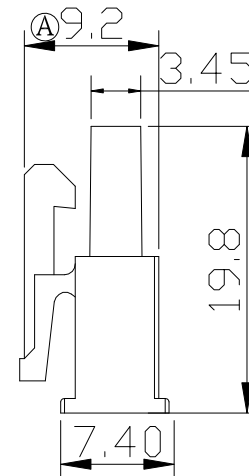
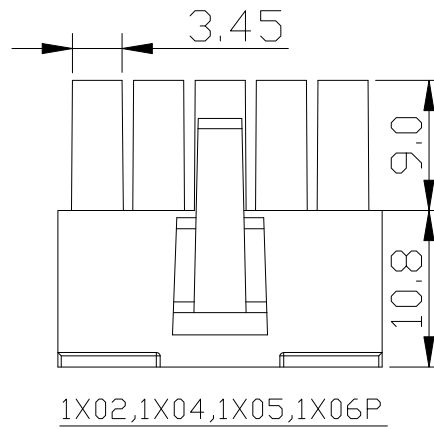
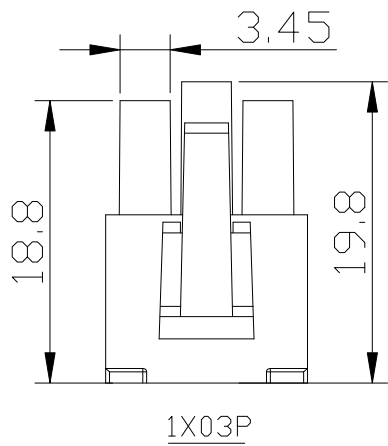
Contact Resistance: 10mΩ Max

Insulation Resistance: 1000MΩ Min

Withstanding Voltage: 1500V AC/minute

Material: Nylon 66,UL94V-2

2



3

POLES	PART NO.	A	B
02	CR-H423M-1X02	4.2	9.7
03	CR-H423M-1X03	8.4	13.9
04	CR-H423M-1X04	12.6	18.1
05	CR-H423M-1X05	16.8	22.3
06	CR-H423M-1X06	21.0	26.5



承洧科技股份有限公司
Cherg Weei Technology Corp.

DESCRIPTION(內容):

Mini Fit 4.2mm (Male) Housing
Single Row(RoHS)

PART NO:
(料號) CR-H423M-1xXX

DWG NO(圖號): 4201-H-1xXP

DRAWN(製圖):

GONG

CHECKED(確認):

TERESA

APPROVAL(核准):

JOHNNY

GENERAL TOLERANCE:

(公差)

X.X ±0.35
X.XX ±0.20

SCALE(比例):

FREE



REV:

R2

UNIT:

mm

SIZE:

A4

SHEET:

1/1

REV

R0

R1

R2

R3

DESCRIPTION

新增A尺寸&2014年8月料號P數編碼統一兩碼

圖面更新

DATE

2008.04.24

2015.03.18

2018.02.08

A

B

C

D

E

CF121